



SWM320A

Door-Window sensor

User manual

IMPORTER: SUOMEN TURVAKAUPPA OY

www.turvakauppa.com

1 Overview

Door-Window Detector (SWM320A) adopts design of split magnetic sensor, to be used to detect a status of doors and windows in real time. According to changes in status of the doors and windows, you can achieve intelligent lighting or burglar alarm. It brings convenience to your home life, and also protects the security of your property.

Notice! Information in this manual may change according to BASE application system updates.

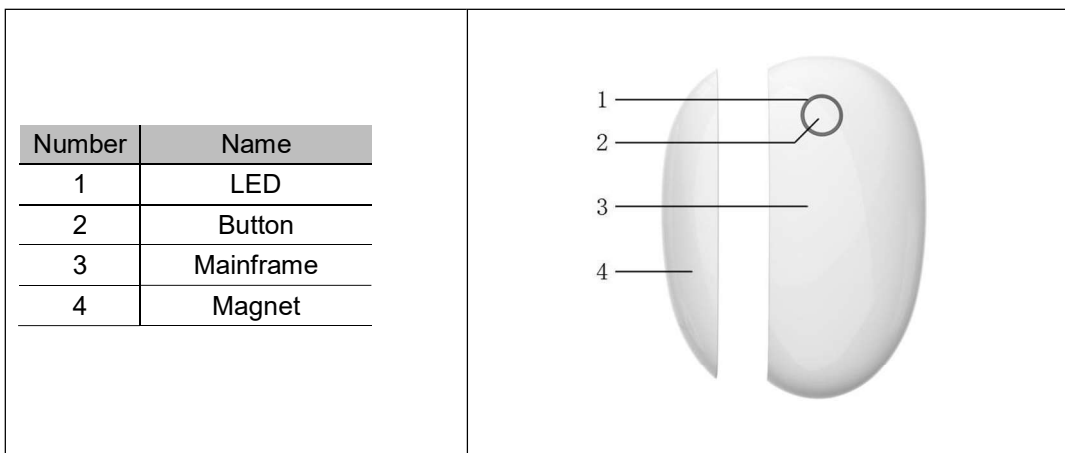
- Please check the latest version from our website www.safewith.me

If a **Door-Window Detector** which is added to gateway detects that the doors or windows open or close, you can let intelligent gateway open/close a lamp or send out an alarm and push this message to a smart terminal such as a smart phone in time. Please refer to '**BASE User Guide**' for the detailed operation.

2 Features

- Three status recognition.
- Low standby current, long battery life.
- MC-DE3 wireless communication protocol, safe, reliable and convenient.
- Wireless distance is more than 100 meters.
- Easy to connect to BASE intelligent security system.

3 Illustration



4 Installation Instruction

4.1 Installation location

- If installed on a door, the bigger part is usually mounted on the door frame.
- If installed on a window, the bigger part is usually mounted on the windows frame.
- The distance between the bigger part and the magnet should be less than 8mm after the installation.
- The detector is suitable for the situation which has no height difference between the door (window) and the door frame (window frame).

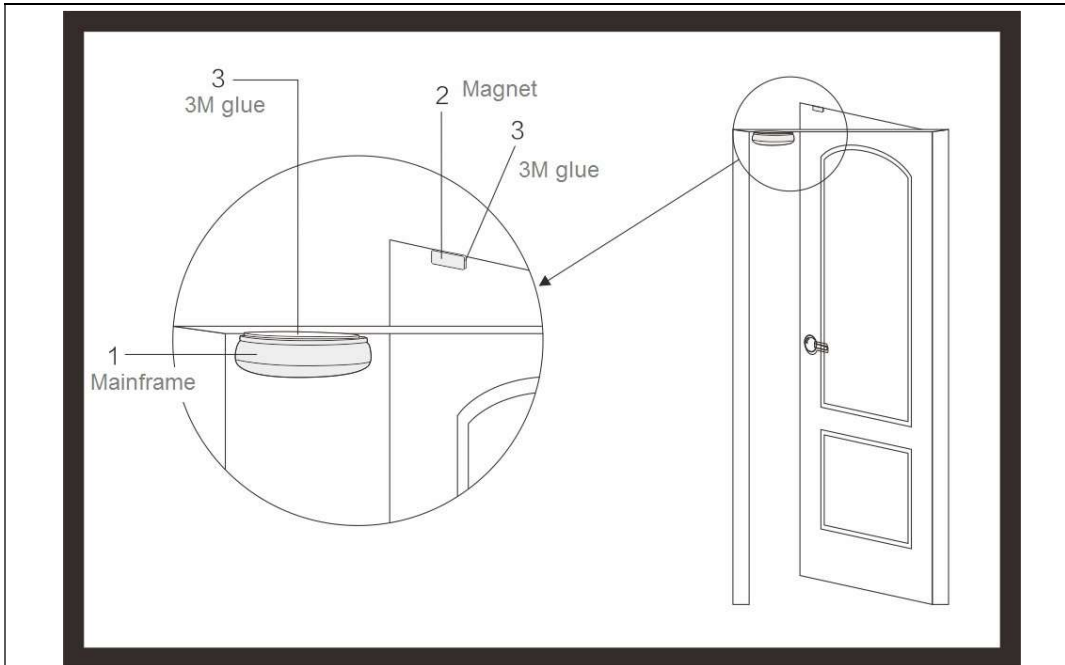


Figure 1 Door frame and door not level.

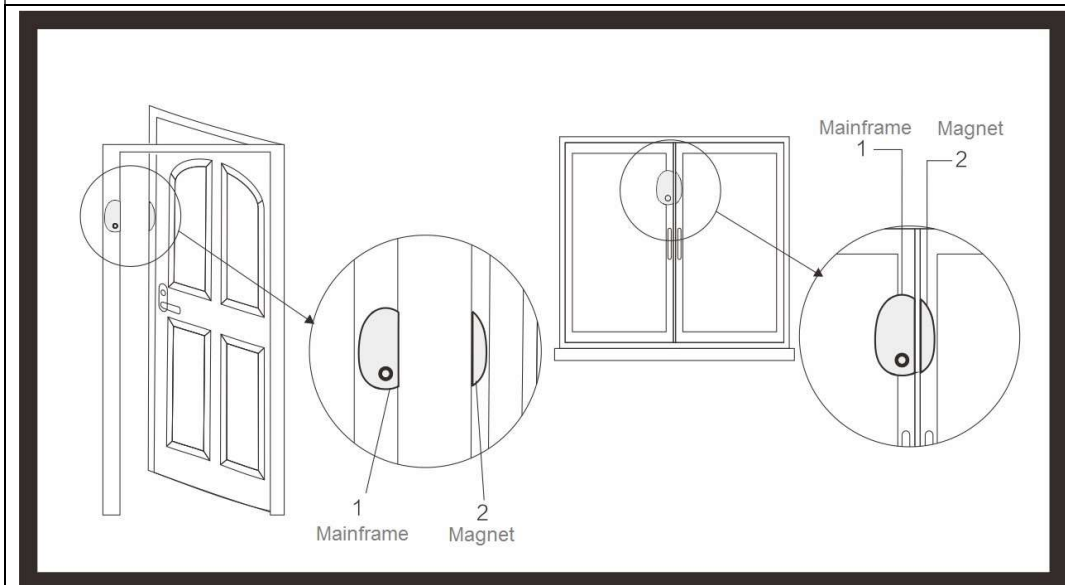
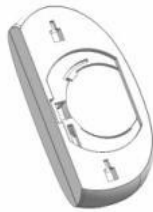


Figure 2 Door/Window frame and door/window are level.

4.2 Replace battery



1) Remove the battery cover of mainframe



2) Remove the battery

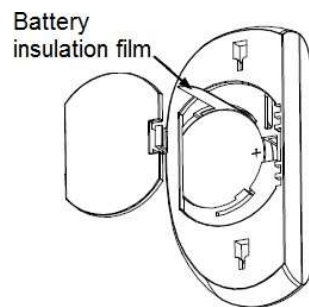


3) Cover the battery cover

5 Operation instruction

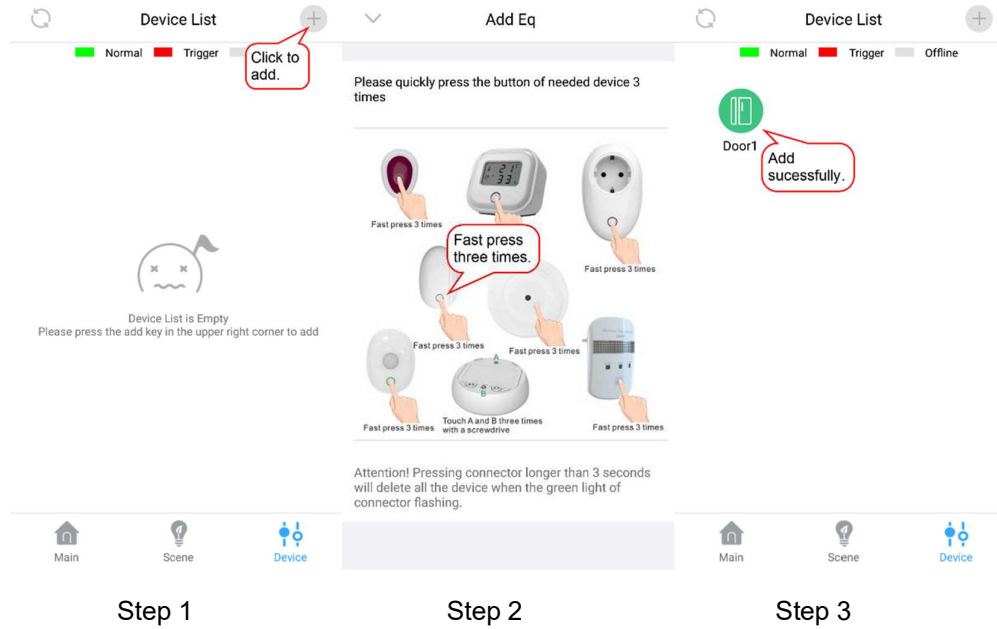
5.1 First use

For the first use, you need to remove the battery insulation film as shown below.



5.2 Adding to BASE smart home ecosystem

SWM188A (gateway) needs to be added to the BASE system first, please refer to the '**BASE User Guide**' for details



5.3 Status Description

- Red indicator flashes once: Door (Window) open or close.
- Green icon in APP: Normal status.(Door closed)
- Red icon in APP: Door open.

6 Technical Specifications

Power input	DC3V(CR2450×1)
Standby current	≤5μA
Trigger current	≤30mA
Frequency	868MHz
Wireless distance	≥100meters
environment	0~55°C, ≤95%RH Non-condensate
Environmental standards	RoHS, REACH
Size	〈Mainframe〉 68×34×20mm
	〈Magnet〉 62×12×19mm

7 Troubleshooting

Number	Problems	Reasons	Solutions
1	The icon in APP doesn't change while door (window) open or close.	Gateway doesn't connect to the Wi-Fi network.	Check Wi-Fi or reconfigure the network.
		Distance between detector and gateway is too large.	Adjust the installation location.
2	The indicator doesn't flash while door (window) open or close.	Distance between mainframe and magnet is too large (more than 8mm).	Adjust the installation location.
		Battery exhausted.	Replace battery.
3	The communication distance between	Low battery power.	

	detector and gateway wireless is short (<100m).		
4	The red light is always on.	Product broken.	Contact the dealer to repair or replace the product.

Statement

The information in the User's Manual is absolutely correct at the time of publication, however we are not responsible for the application of this document. The application mentioned in this document is for illustration purposes only. We do not guarantee or represent that these applications without further modifications are appropriate and that we also have the right to modify the product without any notice. For the latest information, please refer to our website <http://www.china-siter.com>.

SITERWELL ELECTRONICS CO.,LIMITED

Address: No.666 Qingfeng Road, Jiangbei District,
Ningbo, Zhejiang

Phone: 0086-574-87729576

Postcode: 315000

Web: www.china-siter.com

Maahantuoja: Suomen Turvakauppa Oy, Kaarina
Finland.